



# Lithium Coin Cell - CR 1632 H2

- Low self-discharge
- Long shelf life
- UN 38.3 tested
- Wide assortment of mounting options and wire terminals available



RoHS compliant



Pb free



REACH compliant



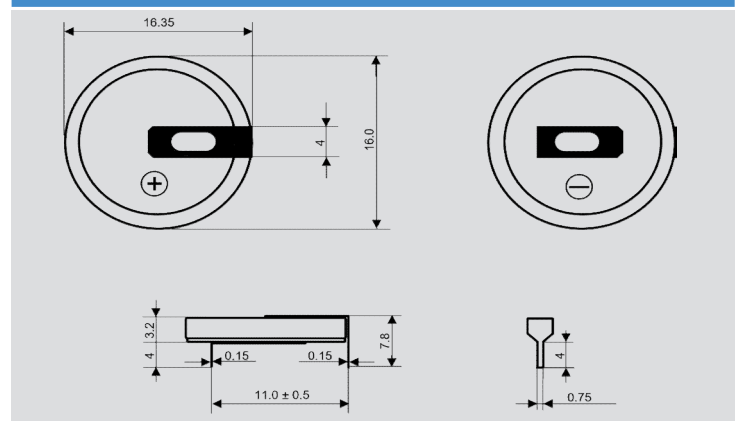
Conflict mineral free

## SPECIFICATIONS

Jauch part number	247284
Nominal Voltage	3V
Nominal Capacity	135 mAh
Standard Load	30 kΩ
Standard Current	0.2 mA
Max. Continuous Current	1 mA
Max. Pulse Current	10 mA
Operating Temperature	-30°C to +85°C *
Weight	Approx. 2.1 g
Chemistry	Li/MnO <sub>2</sub>

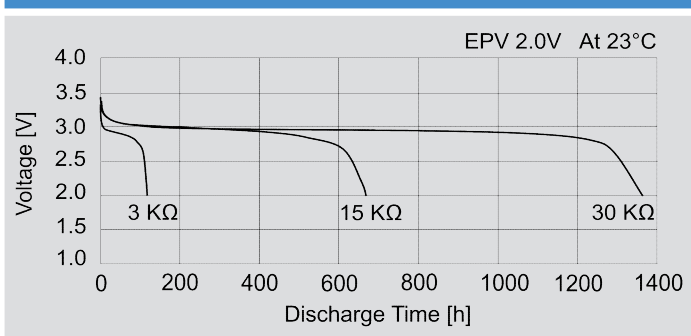
Note: Capacity 135mAh is obtained at standard cc load to 2.0V at 23°C.

## DIMENSIONS [mm]

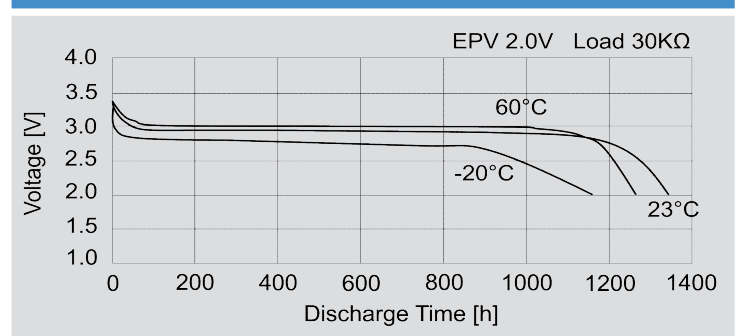


\* In applications where the battery is exposed to temperatures >60°C, please contact Jauch.

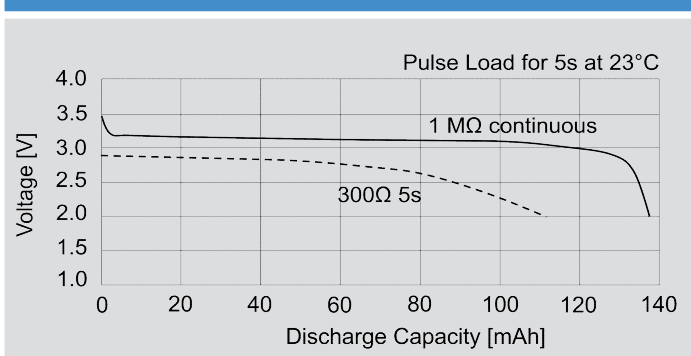
## DISCHARGE CHARACTERISTICS



## TEMPERATURE CHARACTERISTICS



## DISCHARGE CHARACTERISTICS



## LOAD VS: CAPACITY

